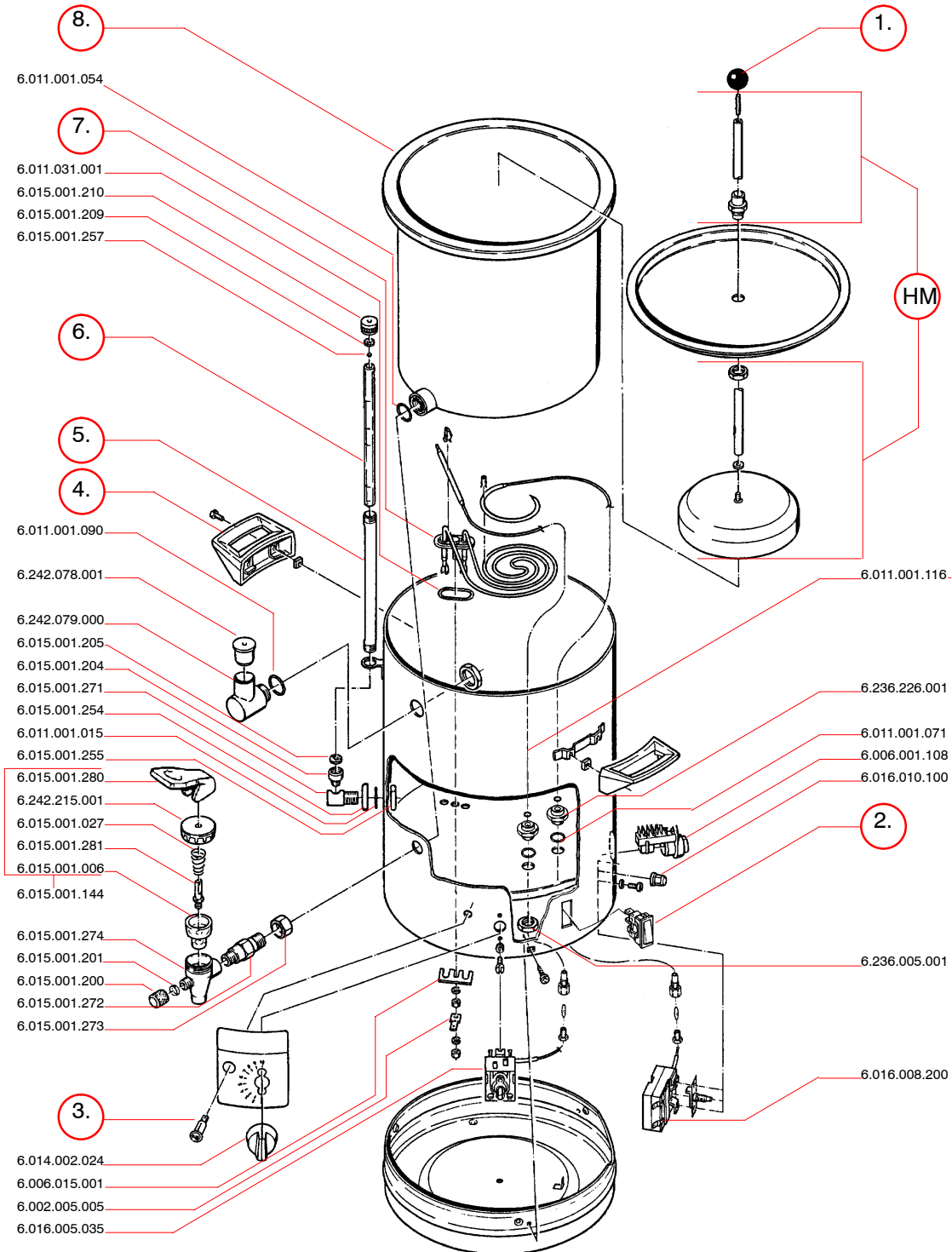


HM 5xx (V 2.0) / HCM 5xx (V 4.0)



HM 5xx (V 2.0) / HCM 5xx (V 4.0)

Ref.		HM505	HM510	HM520	HCM510	HCM520
1.	STD	6.014.002.076	6.014.002.076	6.014.002.076	6.014.002.050	6.014.002.050
2.	STD				6.004.001.080	6.004.001.080
3.	STD	6.005.001.035	6.005.001.035	6.005.001.035	6.005.001.035	6.005.001.035
	D	6.005.001.034	6.005.001.034	6.005.001.034	6.005.001.034	6.005.001.034
4.	STD	6.014.002.072	6.242.198.001	6.243.233.001	6.242.198.001	6.243.233.001
5.	STD	6.015.001.256	6.015.001.256	6.015.001.262	6.015.001.256	6.015.001.262
6.	STD	6.015.001.275	6.015.001.275	6.015.001.276	6.015.001.275	6.015.001.276
7.	STD	6.000.262.014	6.000.261.016	6.000.261.016	6.000.261.016	6.000.261.016
	AUS / CY / GB / IND / IRL / OCE / VAE / ZWD	6.000.262.014	6.000.262.014	6.000.262.014		
8.	STD	6.240.072.000	6.242.069.000	6.243.143.000	6.242.122.000	6.243.166.000